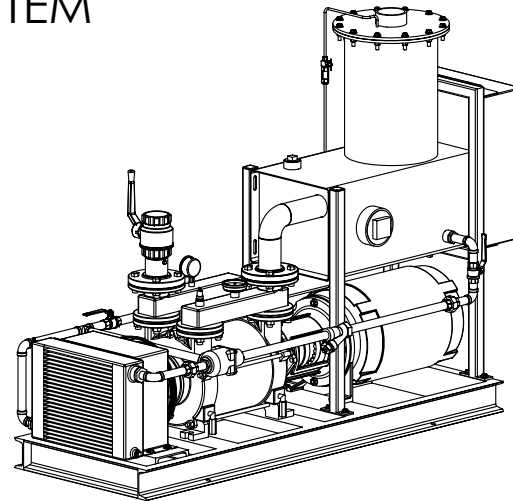
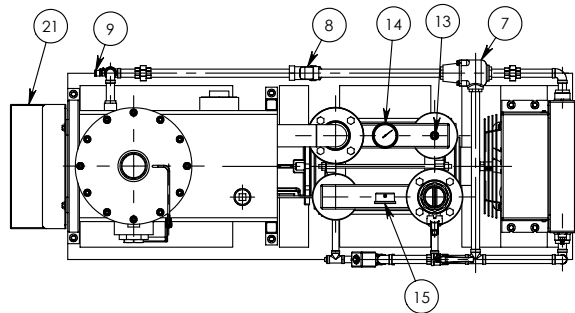
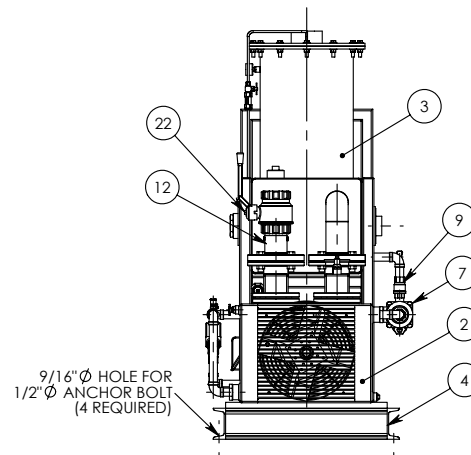
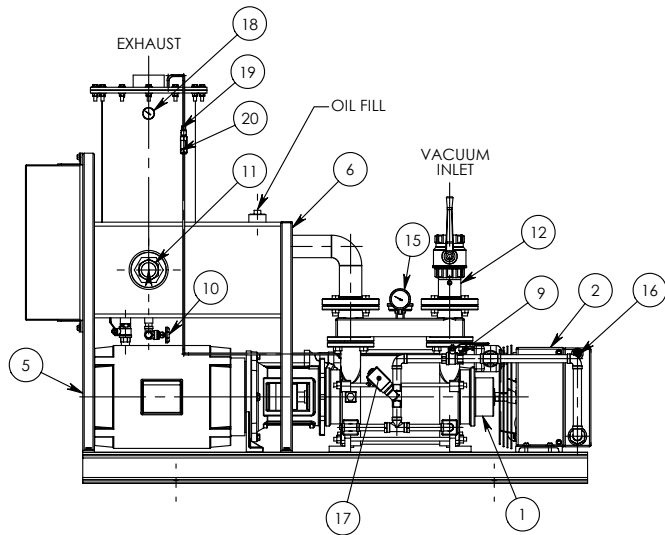


DYNASEAL VACUUM SYSTEM



ITEM NO.	QTY.	DESCRIPTION
1	1	Travaini Liquid Ring Vacuum Pump Assembly
	1	Travaini Liquid Ring Vacuum Pump
	1	TEFC C-Flange Motor 3/60
2	1	Oil Cooler
	1	Stub Shaft
	1	Fan
	1	Fan Guard
	1	Shroud
3	1	Separator/Demister
4	1	Baseplate
5	1	Separator/Control Panel Support
6	2	Separator Support
7	1	Three-Way Thermostatic Valve
8	1	Y-Strainer
9	2	Isolating Ball Valve
10	1	Separator Oil Drain Valve
11	1	Level Gauge (Oil)
12	1	Inlet Check Valve
13	1	High Temperature Switch
14	1	Temperature Gauge (0-250 F)
15	1	Vacuum Gauge (0-30" Hg)
16	1	Oil Cooler Vent
17	1	Service Liquid Solenoid
18	1	Pressure Gauge (0-30 PSI)
19	1	Needle Valve
20	1	In-Line Sight Glass
21	1	Electrical Control Panel
22	1	Vacuum Inlet Isolator (Optional)



Premier Fluid Systems
Canadian Home of Travaini Pumps

4161 Morris Dr. - Unit 5 * Burlington * Ontario * L7L 5L5 * Website: www.pfspumps.com
Tel: 1-800-461-2611 or 905-637-2611 * Fax: 905-333-4722 * email: info@pfspumps.com

DATE : MARCH 2002

N^o.: 3.7