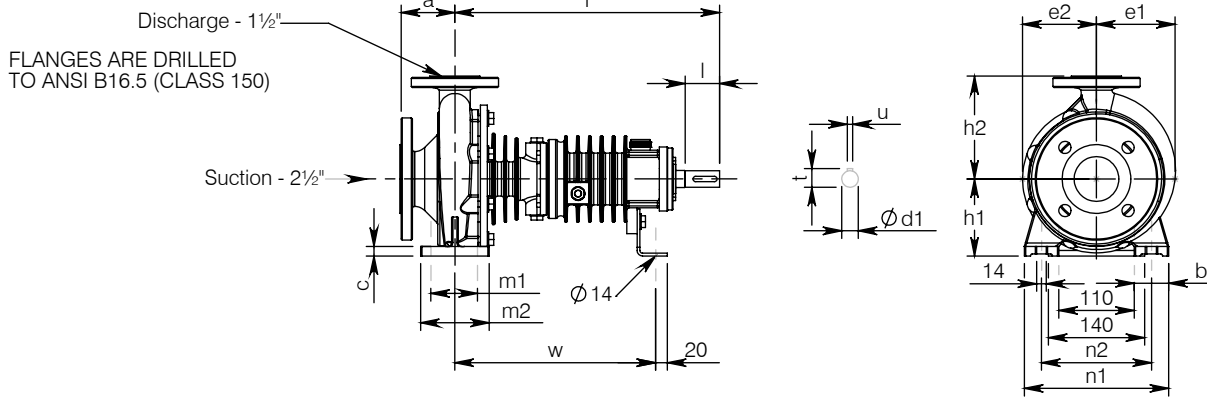


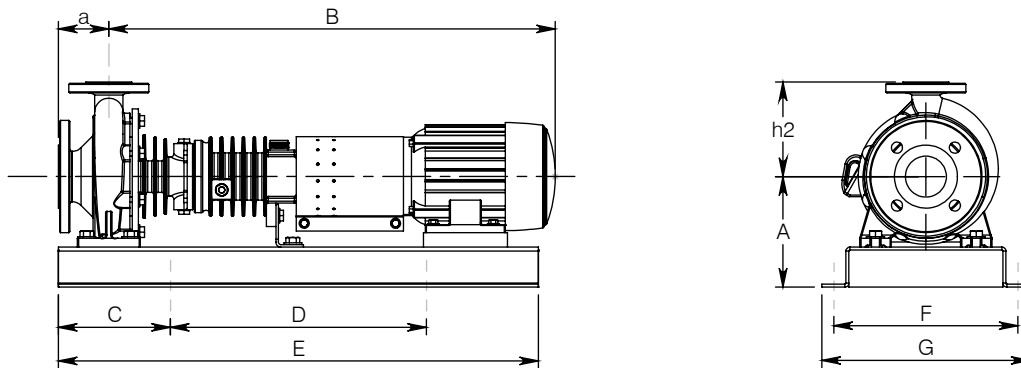
Bareshaft Construction

SERIES TCD 40



| Model | a | f | h1 | h2 | b | c | m1 | m2 | n1 | n2 | w | d1 | l | t | u | e1 | e2 | Weight (Kg.) |
|------------|-----|-----|-----|-----|----|----|-----|----|-----|-----|-----|----|----|----|----|-----|-----|--------------|
| TCD 40-125 | 80 | 385 | 112 | 140 | 50 | 15 | 100 | 70 | 210 | 160 | 285 | 24 | 50 | 27 | 8 | 115 | 100 | 27 |
| TCD 40-160 | | | 132 | 160 | | 16 | | | 240 | 190 | | | | | | 130 | 115 | 32 |
| TCD 40-200 | 100 | 500 | 160 | 180 | 65 | 18 | 125 | 95 | 265 | 212 | 370 | 32 | 80 | 35 | 10 | 146 | 135 | 36 |
| TCD 40-250 | | | 225 | 225 | | | | | 18 | 320 | | | | | | 250 | 176 | 163 |

Base-Mounted Construction



| Pump Model* | Motor Frame | Motor HP* | A | B | C | D | E | F | G | Baseplate | Weight (Kg.) |
|-------------|-------------|-----------|------|-----|-----|-----|------|-----|-----|-----------|--------------|
| TCD 40-125 | 56C | 0.75 / 1 | 176 | 670 | 178 | 406 | 762 | 292 | 330 | 901 | 68 |
| | 143T | 1.5 | | 714 | | | | | | | 77 |
| | 182T | 3 | | 778 | | | | | | | 91 |
| | 184T | 5 | 806 | 109 | | | | | | | |
| | 213T | 7.5 | 867 | 136 | | | | | | | |
| | 215T | 10 | 908 | 145 | | | | | | | |
| TCD 40-160 | 56C | 0.75 / 1 | 176 | 670 | 178 | 406 | 762 | 292 | 330 | 901 | 73 |
| | 143T | 1.5 | | 714 | | | | | | | 82 |
| | 145T | 2 | | 740 | | | | | | | 86 |
| | 184T | 5 | 806 | 113 | | | | | | | |
| | 213T | 7.5 | 867 | 141 | | | | | | | |
| | 215T | 10 | 908 | 150 | | | | | | | |
| TCD 40-200 | 143T | 1.5 | 224 | 714 | 203 | 762 | 1168 | 394 | 432 | 900 | 94 |
| | 145T | 2 | | 740 | | | | | | | 98 |
| | 182T | 3 | | 778 | | | | | | | 109 |
| | 213T | 7.5 | 867 | 145 | | | | | | | |
| | 215T | 10 | 908 | 154 | | | | | | | |
| | 254T | 15 | 965 | 209 | | | | | | | |
| | 256T | 20 | 1008 | 223 | | | | | | | |
| | 284TS | 25 | 1010 | 231 | | | | | | | |
| TCD 40-250 | 182T | 3 | 244 | 899 | 178 | 610 | 965 | 394 | 432 | 908 | 147 |
| | 184T | 5 | 924 | 159 | | | | | | | |
| | 213T | 7.5 | 984 | 203 | | | | | | 762 | 1168 |

*Additional sizes available, contact Premier Fluid Systems Inc.

Dimensions in mm



Premier Fluid Systems
Canadian Home of Travaini Pumps

4161 Morris Dr. - Unit 5 * Burlington * Ontario * L7L 5L5 * Website: www.pfspumps.com
Tel: 1-800-461-2611 or 905-637-2611 * Fax: 905-333-4722 * email: info@pfspumps.com

DATE : SEPTEMBER 2008

N°.: 15.26